

Ditec Cross

Industrial sliding gate automation

Sliding gates require flexible automation able to control a wide range of sizes, different access traffic and changing weather conditions, yet to provide optimal safety, operation and reliability.

The **Ditec Cross** range meets a wide range of **commercial and industrial requirements**.

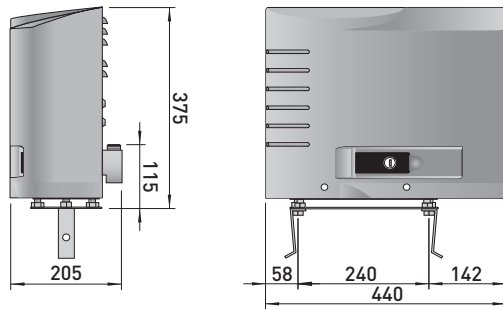
The automation system can be completed with Ditec command, control and safety devices.



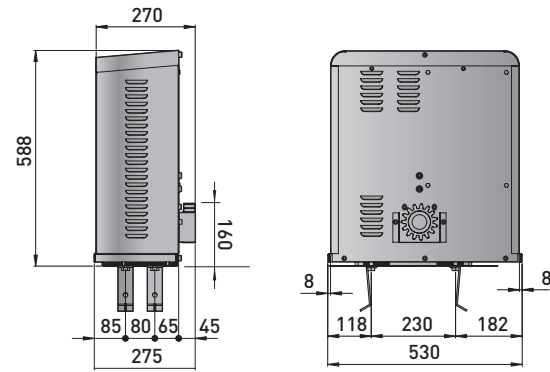
Product specifications

EN

Ditec Cross 18 - Ditec Cross 19



Ditec Cross 30



Main features

Descrizione	Cross 18	Cross 18E	Cross 18VE	Cross 19V	Cross 30E
Capacity	1800 kg	1800 kg	1800 kg	1800 kg	3000 kg
Stroke control	rotary stop	lever	magnetic mechanical stop	magnetic mechanical stop	magnetic mechanical stop
Service index	4 - intensive	4 - intensive	4 - intensive	4 - intensive	5 - heavy duty
Intermittent operation	S2 = 30 min S3 = 50%	S2 = 30 min S3 = 50%	S2 = 30 min S3 = 50%	S2 = 30 min S3 = 50%	S3 = 100%
Power absorption	230 V AC 50 Hz	230 V AC 50 Hz	230 V AC 50 Hz	400 V AC 50 Hz	400 V AC 50 Hz
Input	3 A	3 A	3 A	1,2 A	2,1 A
Thrust	1200 N	1200 N	1200 N	1500 N	3000 N
Opening and closing speed	0,2 m/s	0,2 m/s	0,2 m/s	0,2 m/s	0,16 m/s
Max stroke	11 m	20 m	20 m	20 m	20 m
Release system for manual opening	key operated	key operated	key operated	key operated	a key operated
Protection level	IP 24D	IP 24D	IP 24D	IP 24D	IP 45
Operating temperature	-20°C / +55°C (-35°C / +55°C with NIO enabled)			-20°C / +55°C	
Control panel	E1A o LOGICM	E1A (built-in)	LOGICM (built-in)	E1T	E1T (built-in)

Main system functions

Control panel	E1A	LOGIC M	E1T
Built-in radio	■	to be provided	to be provided
Mains power supply	230 V AC / 50/60 Hz	230 V AC / 50/60 Hz	230 V AC / 50/60 Hz
Motor power supply	230 V AC / 5 A	230 V AC / 1 x 5 A	400 V AC / 6 A
Accessories power supply	24 V AC / 0.5 A	24 V AC / 0.5 A	24 V AC / 0.5 A
Flashing light	230 Vca	230 Vca e 24 Vcc	24 Vcc
Gate open warning light	from limit switch	from limit switch and analogue	from limit switch
Courtesy light	■	■	■
Limit switch provision	■	■	■
Force adjustment control	transformer	transformer	
ODS - Obstruction detection system	■	■	
Operation time adjustment	■	■	
Open control	■ (with dip-switch)	■	■ (with dip-switch)
Partial open control	■ (with radio only)	■	■
Closing command	■	■	■
Automatic timed close control	■	■	■
Inching control	■	■	■
Hold-to-run control	■	■	■
Stop safety device	■	■	■
Reverse operation safety device	■	■	■
Safety Test Facility	■	■	■

Full compliance with the EU Directives and Standards

- 2014/30/EU - EMCD - Electromagnetic Compatibility Directive
- 2014/53/EU - RED - Radio Equipment Directive
- 2006/42/CE - Machine Directive - (Annex II-B; Annex II-A; Annex I-chapter 1)